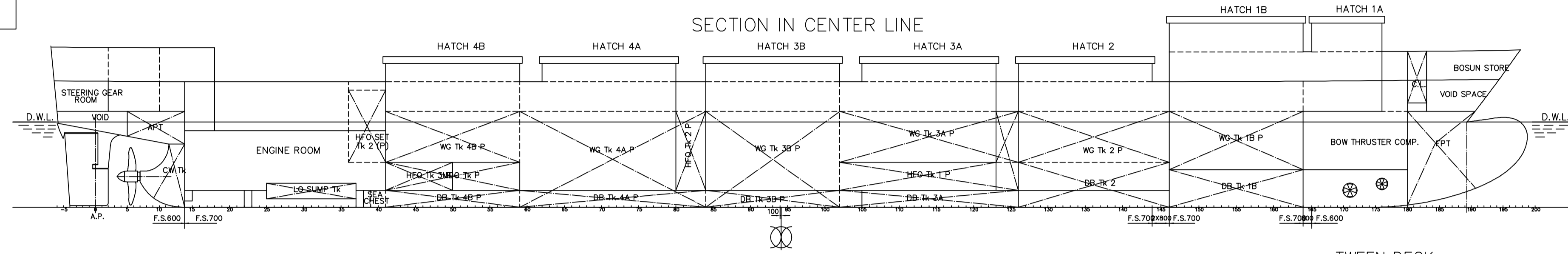


800'090'58012'280

SECTION IN CENTER LINE



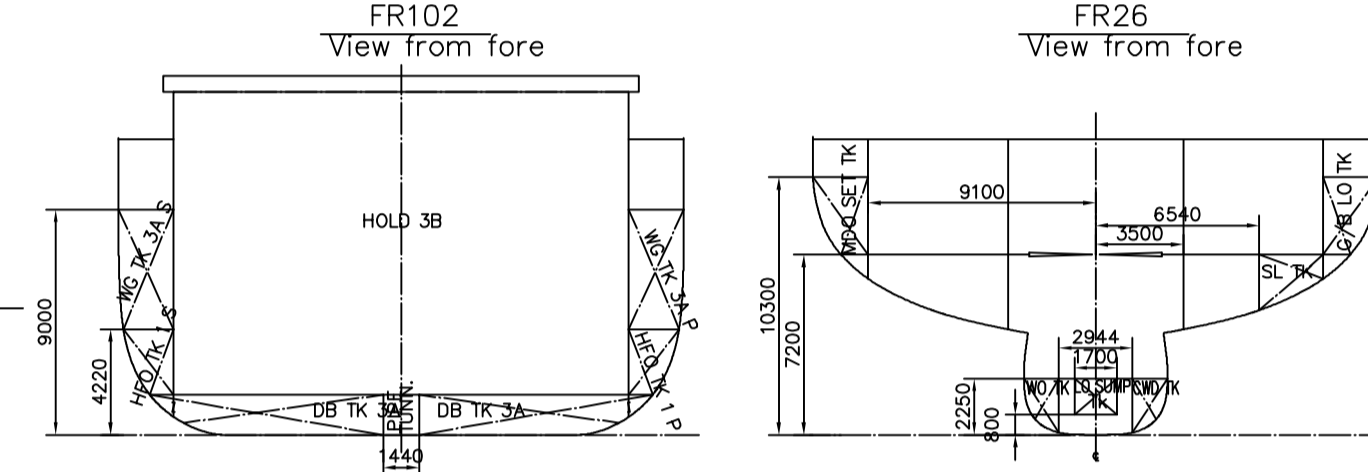
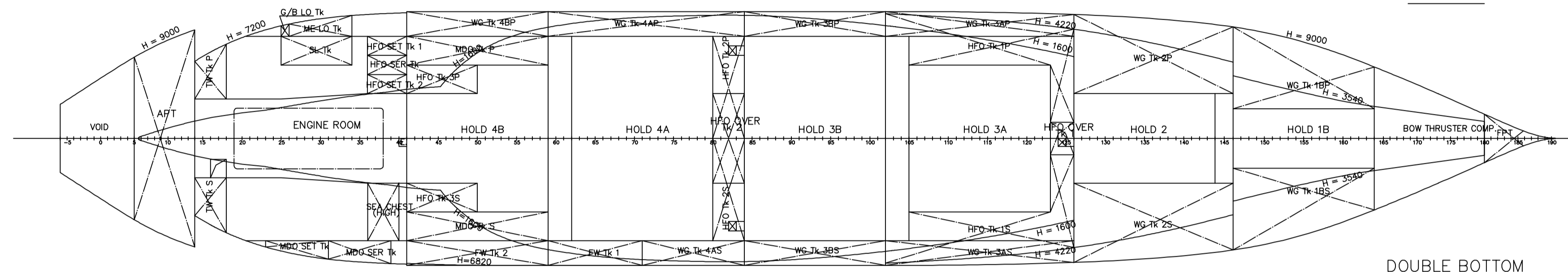
PRINCIPAL PARTICULARS

LENGTH O.A. abt. 139.10 m
 LENGTH B.P. 129.00 m
 BREADTH MLD. 22.60 m
 DEPTH MLD. 11.80 m
 DRAFT DESIGN/SCANTLING 8.00/8.80 m
 DEADWEIGHT (DESIGN/SCANTLING) abt. 9600 /11500 m.t.

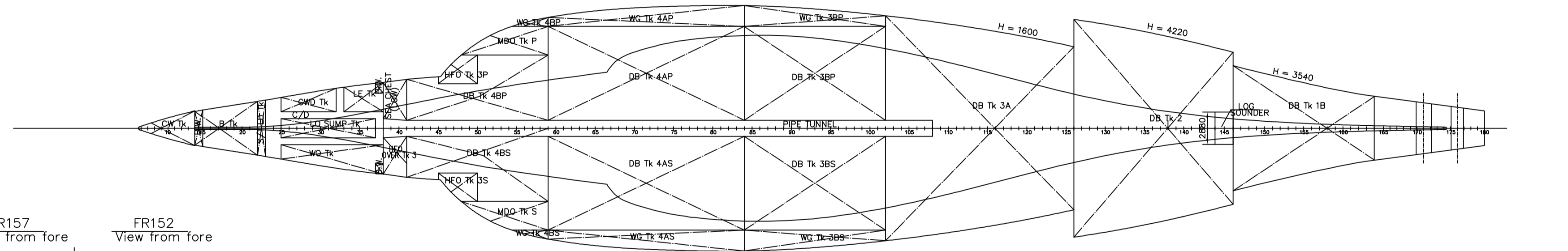
REMARKS
 The name is to be used in all drawings and documents.

NO.	SHORT NAME	FULL NAME	LOCATION	WEIGHT (GROSS)	VOLUME (CU M)	CENTRE OF GRAVITY (M)	ALL. FREE BOARD
1	FP	Fore Peak Tank	100-100	188.3	184.7	5.14	63.28
2	DB	Double Bottom Tank No.1B	146-164	285.0	253.7	3.18	42.05
3	WB	Wing Tank No.1B P	146-164	236.2	229.5	6.52	42.24
4	WB	Wing Tank No.1B S	146-164	235.2	229.5	6.52	42.24
5	DB	Double Bottom Tank No.2	128-146	419.2	409.1	2.16	28.19
6	WB	Wing Tank No.2 P	128-146	177.2	173.0	6.64	28.08
7	WB	Wing Tank No.2 S	128-146	177.2	173.0	6.64	28.08
8	DB	Double Bottom Tank No.3A	102-128	399.2	388.4	0.88	13.40
9	WB	Wing Tank No.3A P	102-128	163.2	148.6	6.78	13.39
10	WB	Wing Tank No.3A S	102-128	163.2	148.6	6.78	13.39
11	DB	Double Bottom Tank No.3B	84-102	168.2	165.1	0.81	-0.84
12	DB	Double Bottom Tank No.4A	58-84	102.2	102.2	0.81	-0.84
13	WB	Wing Tank No.4A P	58-84	214.5	209.2	5.12	-0.86
14	WB	Wing Tank No.4A S	58-84	214.5	209.2	5.12	-0.86
15	DB	Double Bottom Tank No.4B	30-58	230.0	224.4	0.82	-1.50
16	WB	Wing Tank No.4B P	30-58	230.0	224.4	0.82	-1.50
17	WB	Wing Tank No.4B S	30-58	230.0	224.4	0.82	-1.50
18	DB	Double Bottom Tank No.4C	12-30	258.7	252.4	0.83	-1.63
19	WB	Wing Tank No.4C P	12-30	84.9	82.9	0.83	-2.19
20	WB	Wing Tank No.4C S	12-30	84.9	82.9	0.83	-2.19
21	DB	Double Bottom Tank No.4D	12-30	151.5	147.8	0.83	-2.19
22	WB	Wing Tank No.4D P	12-30	95.4	88.2	0.83	-2.19
23	WB	Wing Tank No.4D S	12-30	95.4	88.2	0.83	-2.19
24	FP	Aft Peak Tank	5-14	184.8	180.2	7.80	-0.55
25	HFO	HFO Tank No.1 P	102-128	228.7	248.8	244.4	4.59
26	HFO	HFO Tank No.1 S	102-128	228.7	228.7	4.10	17.20
27	HFO	HFO Tank No.2 P	80-84	150.4	167.7	153.5	4.84
28	HFO	HFO Tank No.2 S	80-84	150.4	167.7	153.5	4.84
29	HFO	HFO Tank No.3 P	41-50	40.7	42.3	41.5	2.80
30	HFO	HFO Tank No.3 S	41-50	40.7	42.3	41.5	2.80
31	HFO	HFO Tank No.4 P	30-41	33.7	34.4	33.7	0.54
32	HFO	HFO Tank No.4 S	30-41	33.7	34.4	33.7	0.54
33	HFO	HFO Tank No.5 P	12-30	11.7	12.0	11.7	0.20
34	HFO	HFO Tank No.5 S	12-30	11.7	12.0	11.7	0.20
35	HFO	HFO Tank No.6 P	12-30	44.3	44.3	44.3	0.80
36	HFO	HFO Tank No.6 S	12-30	44.3	44.3	44.3	0.80
37	MDO	MDO Tank P	41-50	66.2	78.6	77.0	2.84
38	MDO	MDO Tank S	41-50	66.2	78.6	77.0	2.84
39	MDO	MDO Tank No.1	23-31	30.0	36.8	34.8	0.84
40	MDO	MDO Tank No.2	31-39	44.3	52.5	51.5	0.84
41	MDO	MDO Tank No.3	28-34	30.0	34.7	34.0	0.84
42	AE	Auxiliary Engine LO Storage Tank	102-128	9.7	11.0	10.7	0.15
43	GL	GL Storage Tank	25-28	3.4	3.9	3.8	0.80
44	LO	LO Storage Tank	25-27	18.1	20.5	20.1	0.80
45	FW	FW Tank No.1 S	58-71	28.9	28.9	7.81	-20.40
46	FW	FW Tank No.2 S	41-50	98.8	98.8	7.81	-20.28
47	FW	FW Tank No.3 S	14-18	35.9	35.9	7.78	-20.43
48	LE	Leakage Oil Tank	33-38	14.9	14.9	-4.10	-2.56
49	SL	Slop Tank	25-34	35.0	35.0	6.53	-44.89
50	CO	Cooling Water Drain Tank	25-32	14.2	14.2	1.32	-42.23
51	BT	BT Water Tank	14-22	24.8	24.8	0.89	-22.82
52	SW	SW HOLD T.	10-18	9.7	9.7	-53.56	-9.87
53	SW	SW HOLD T.	10-18	9.7	9.7	-53.56	-9.87
54	WD	WD TANK	25-38	35.4	1.25	-43.38	2.39
55	LD	LD DRAIN TANK	23-23	4.4	4.4	0.89	-20.15
TOTAL				1533.0	206.7	61.8	-783.6

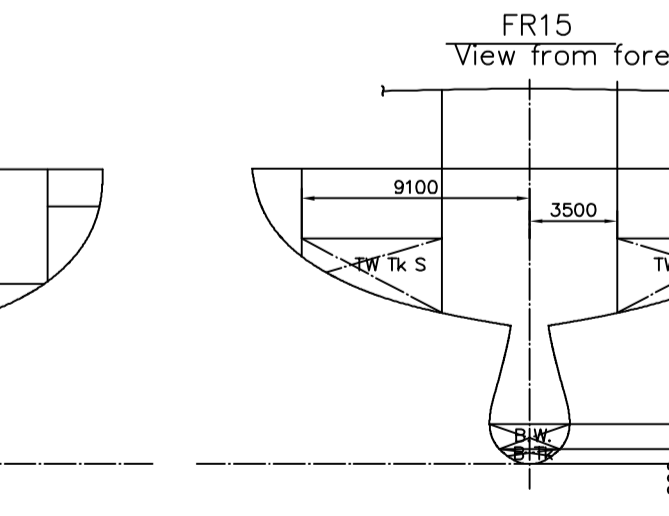
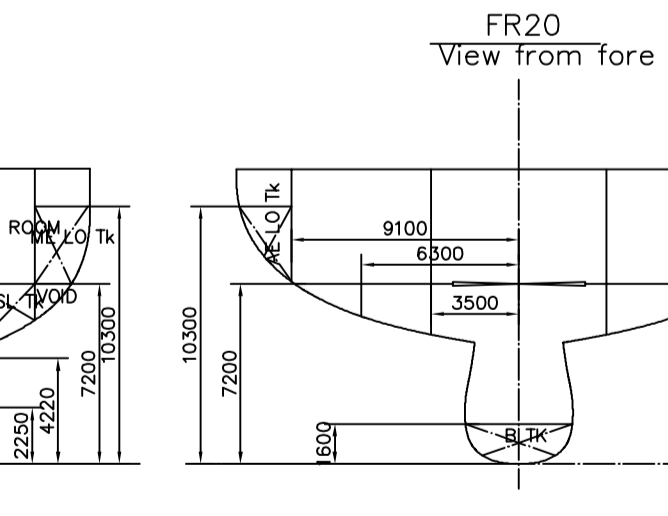
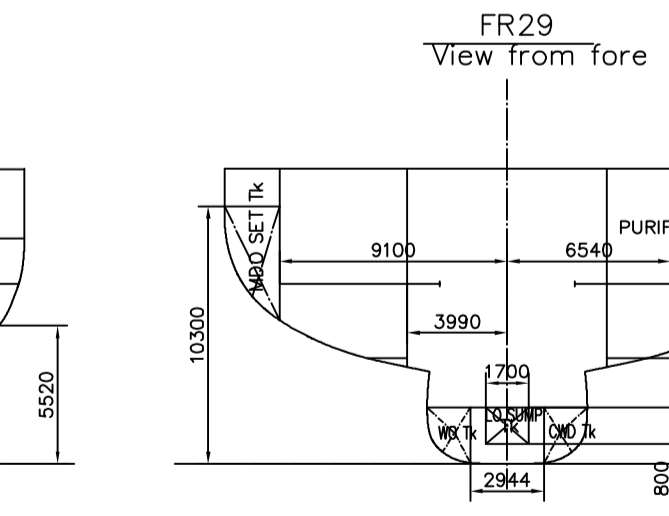
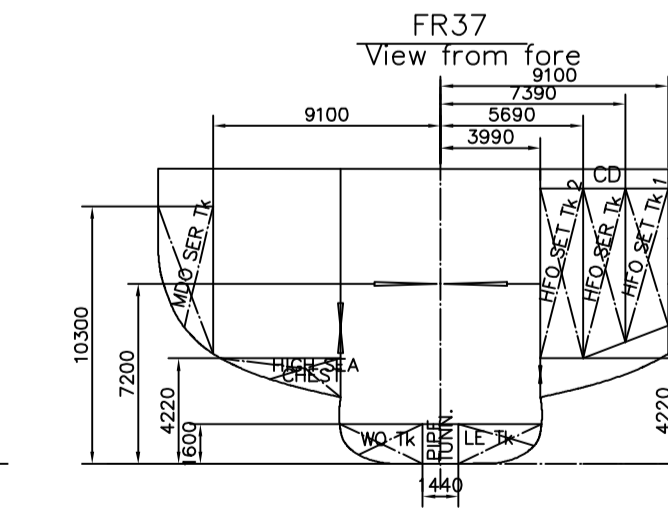
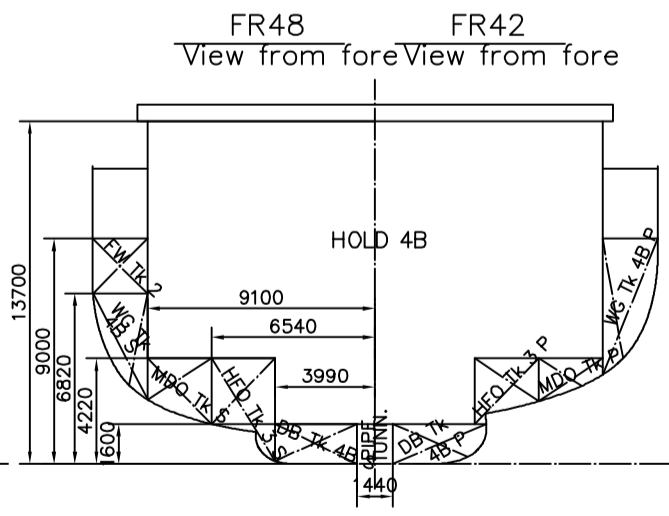
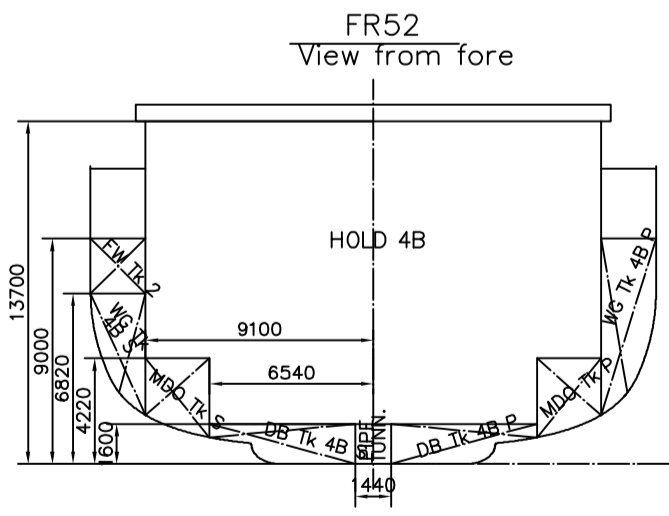
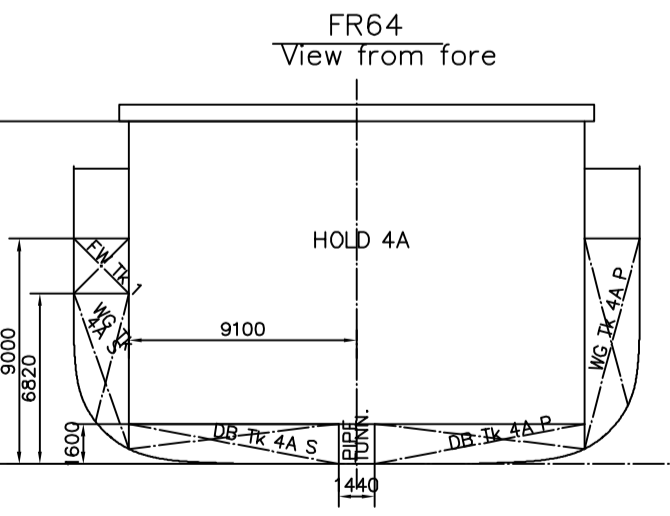
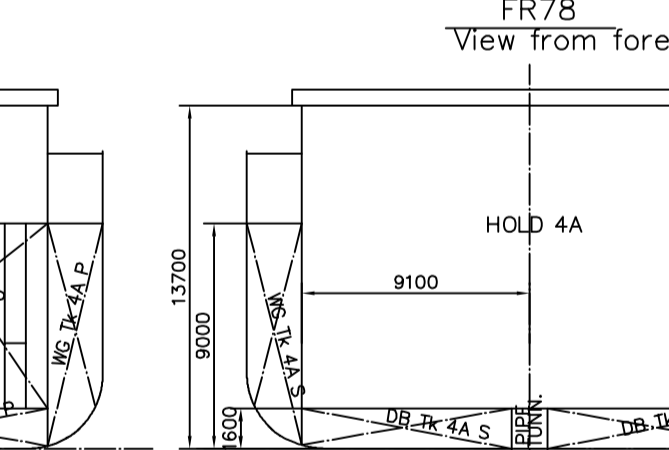
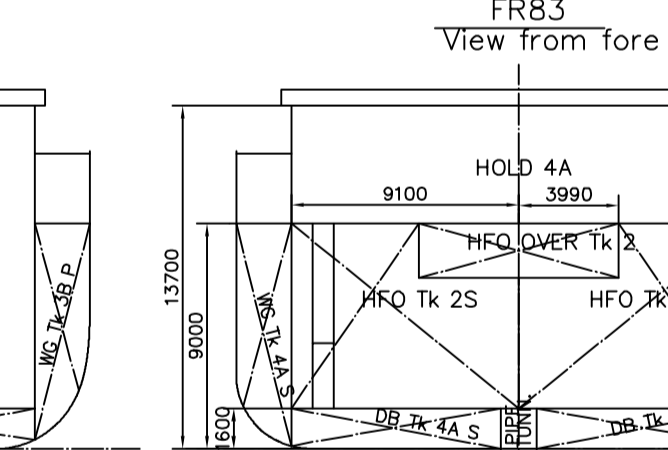
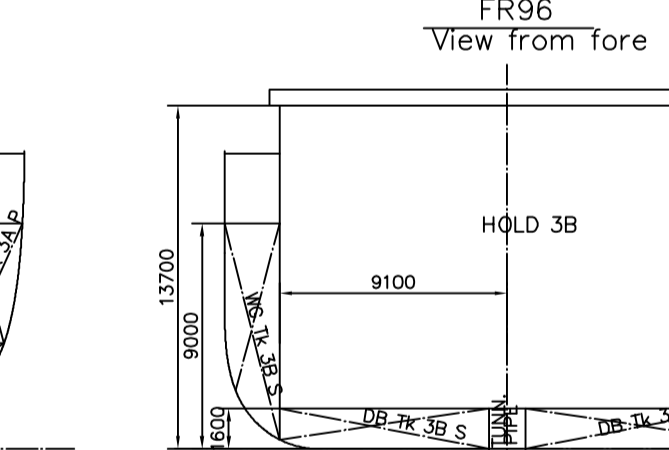
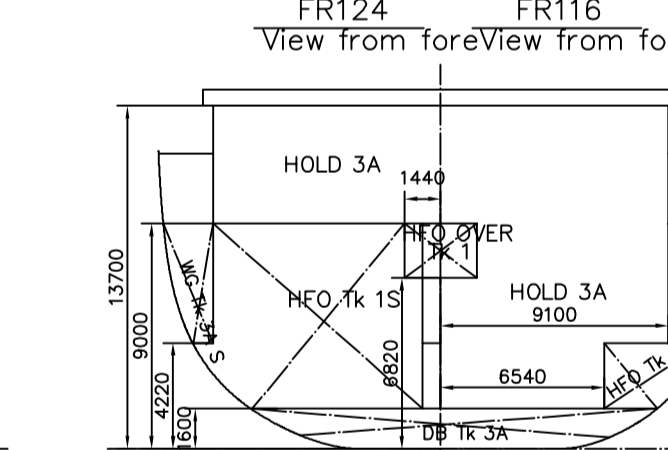
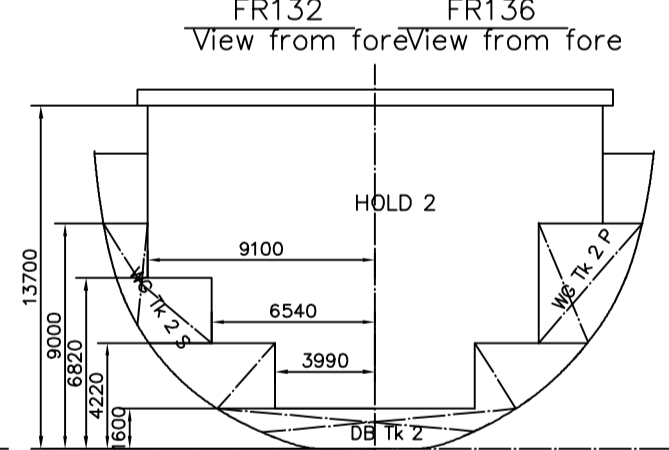
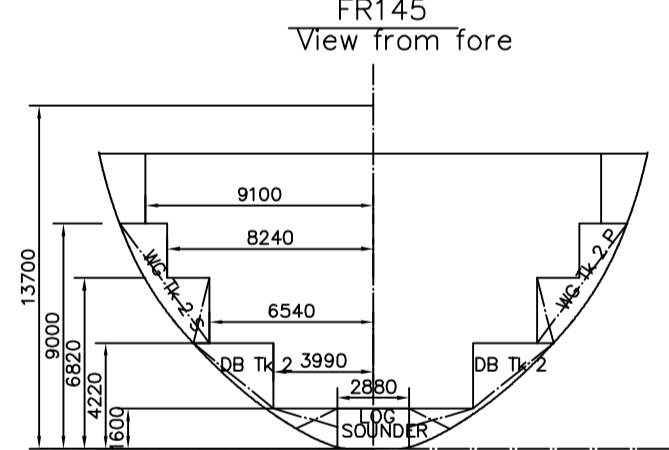
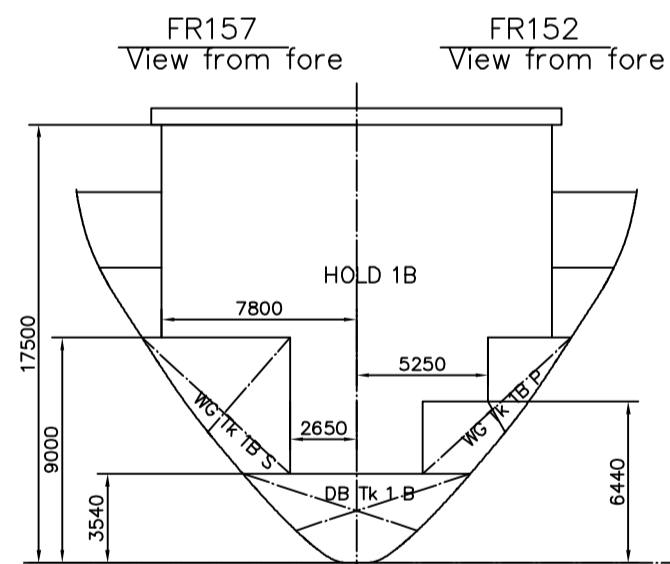
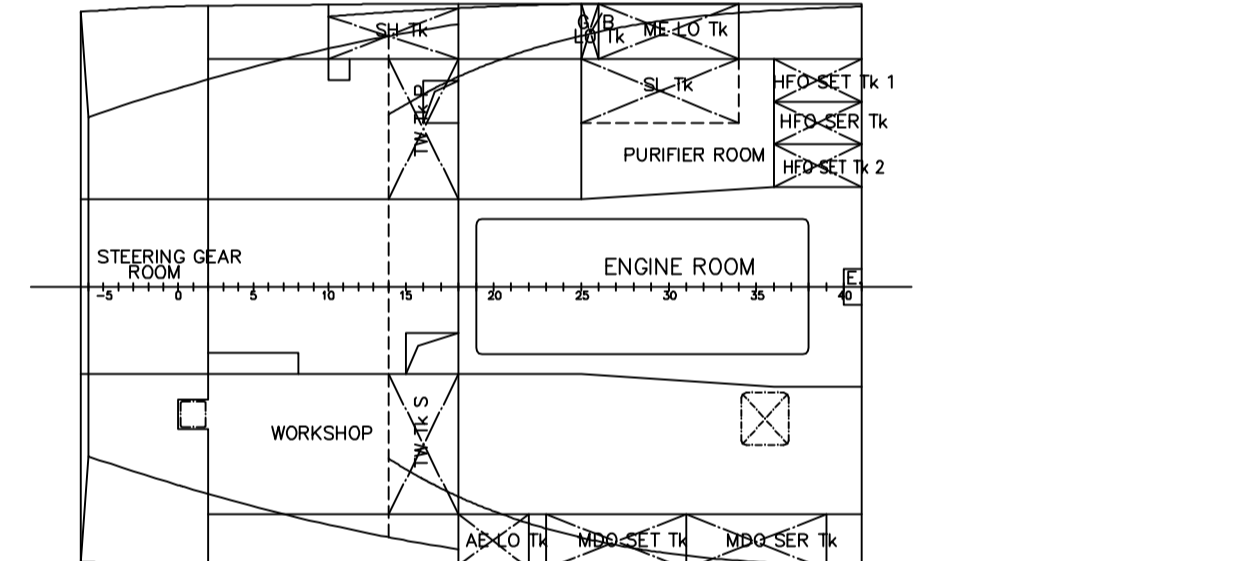
TWEEN DECK



DOUBLE BOTTOM



TWEEN DECK



BUILDER	ZHEJIANG YANGFAN SHIP GROUP	SHIP'S No.	2017/18/19
DESIGNER	MARINE DESIGN & RESEARCH INSTITUTE OF CHINA		/20/21
	900TEU CONTAINER VESSEL	Q82,24035,050,008	G-8
		TANK ARRANGEMENT PLAN	1:200
		AS-BUILT DRAWING	MARIC